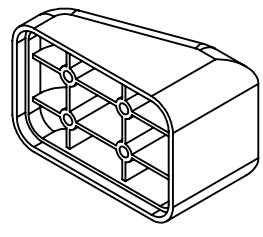


4 3 2 1

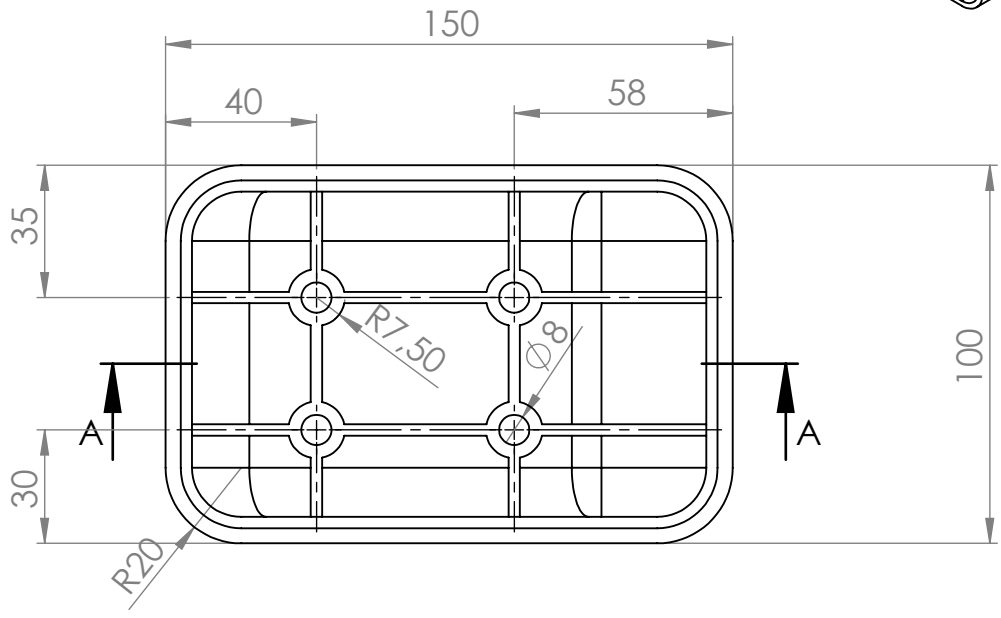
F

F



E

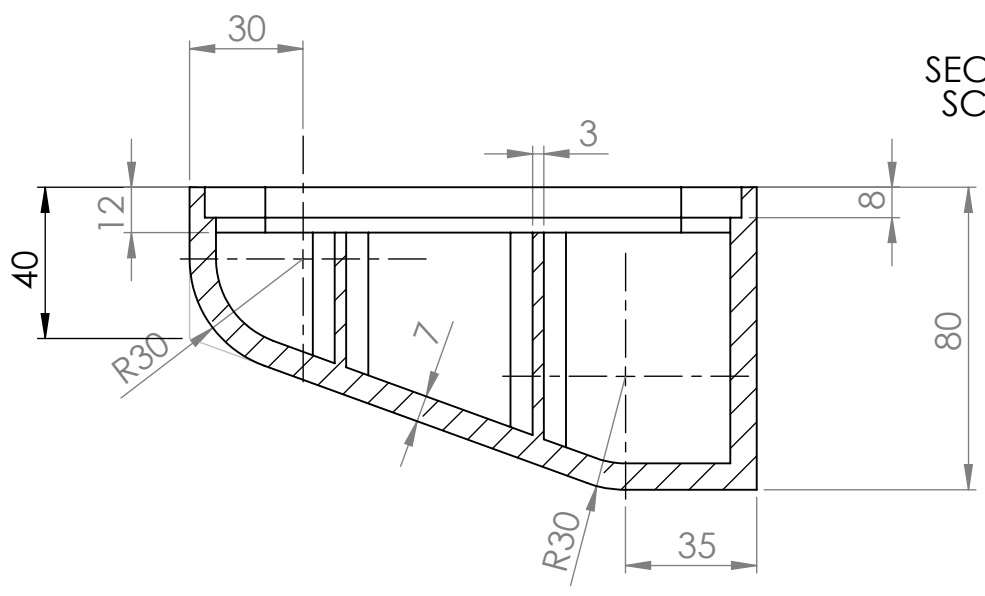
E



D

D

SECTION A-A
SCALE 1 : 2



C

C

B

B

UNLESS OTHERWISE SPECIFIED:
DIMENSIONS ARE IN MILLIMETERS
SURFACE FINISH:
TOLERANCES:
LINEAR:
ANGULAR:

FINISH:

DEBURR AND
BREAK SHARP
EDGES

DO NOT SCALE DRAWING

REVISION

	NAME	SIGNATURE	DATE	
DRAWN				
CHK'D				
APPV'D				
MFG				
Q.A				

TITLE:	
MATERIAL:	
DWG NO.	
Borda1	
SCALE: 1:5	SHEET 1 OF 1

A

A

4 3 2 1